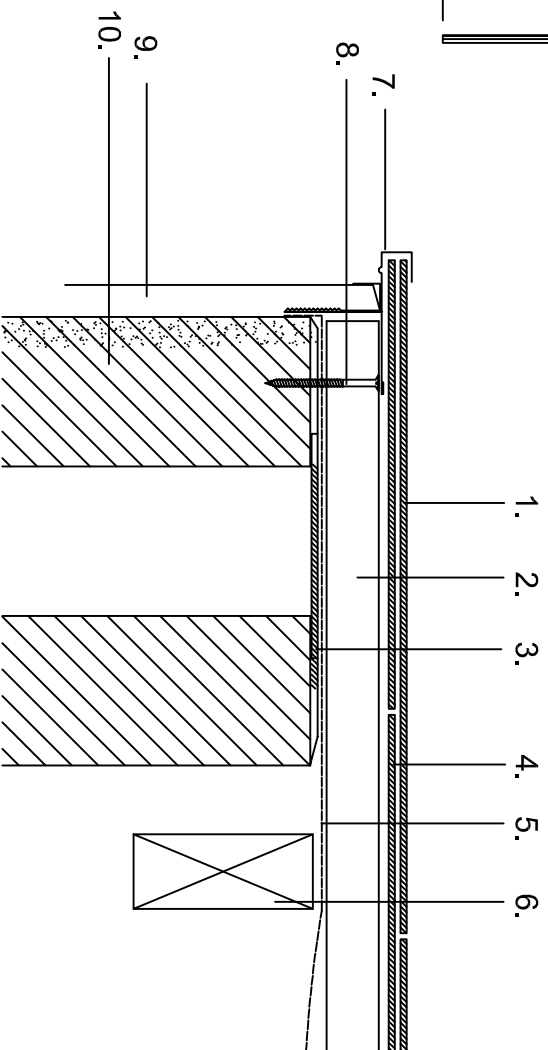
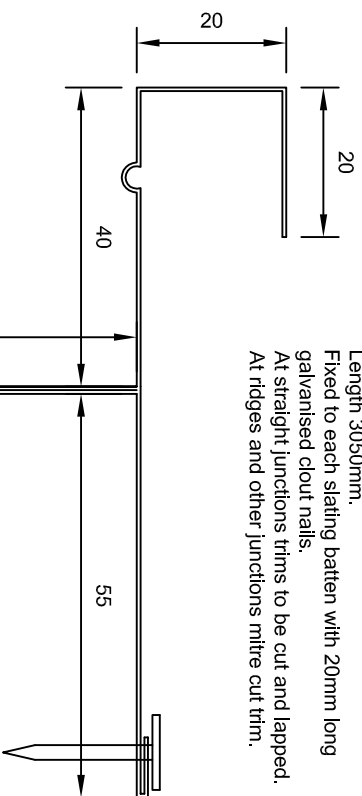


# TEGRAL ALUMINIUM TRIM NO. 2 Scale 1:1

Tegral Aluminium Trim No. 2  
 Length 3050mm.  
 Fixed to each slating batten with 20mm long  
 galvanised clout nails.  
 At straight junctions trims to be cut and lapped.  
 At ridges and other junctions mitre cut trim.



## Notes and Specifications

1. Tegral Thrutone Endurance double width slate, cut to suit
2. Slating batten
3. Tegral fibre cement cavity closer
4. Tegral Thrutone Endurance slates
5. Underlay to carry out over bargeboard
6. Truss/Rafter
7. Tegral Aluminium Trim No. 2
8. Screw fixing to batten ends
9. External render with stop bead
10. Cavity gable wall

Double width slates to be used in each alternative slate course. These verge slates to be fixed with 3 no. Tegral copper nails and 2 no. Tegral copper crampions.

Project title

Date:

Dwg.No.

**Tegral Building Products Limited**  
 Athy, Co. Kildare, R14 VN84

Email: [support@tegral.com](mailto:support@tegral.com)

Call: +353 (0)59 863 1316

Drawing title  
 STANDARD FLUSH VERGE USING  
 TEGRAL ALUMINIUM TRIM NO. 2 BEHIND PLASTER

Tegral Reference  
 TT-VRG-04

Scale  
 1:5

Product